

Description

The SO600 oxy acetylene hose reel from Alemlube is a genuine industrial quality welding reel for all general welding applications undertaken by contractors, fabricators and people involved in the construction and industrial fields. Featuring impact resistant UV stabilised covers for maximum durability and an automatic and positive latching mechanism, the SO600 can easily be mounted on the wall or ceiling and can be carried in utes and service vehicles.

Specifications

Use	Oxy acetylene welding
Pressure	300psi
Hose Length	15m of 6mm ID rubber hose
Materials	Plastic UV stabilised cover & steel spring
Dimensions	630mm (L) x 442mm (H) x 261mm (W)
Working Temp	-30°C – 60°C

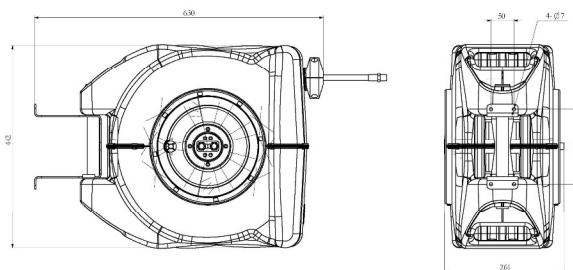
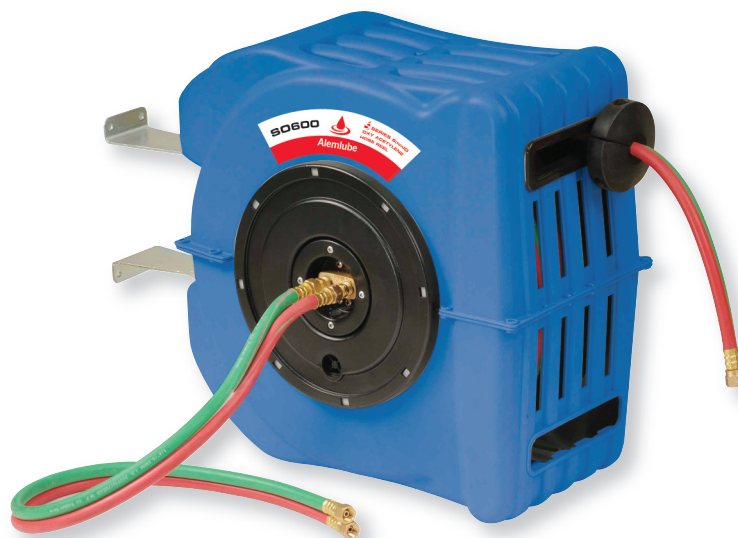
Installation

1. Prior to mounting the hose reel, ensure that the supply line pressure does not exceed the maximum working pressure of the hose reel.
2. Unpack and inspect reel for damage. Turn by hand to check for smooth operation. Check for completeness.
3. For overhead ceiling mounting: Install reel at most 10 ft/ 3m above the floor.
4. You will need to purchase appropriate hardware for mounting your new reel.
 - 1) The reel base has four 6.5mm drilled holes for mounting on a suitable flat surface.
 - 2) Using the four holes in the base, mount the reel in the desired location.

Be sure to use appropriate hardware and tighten securely.

Operation

1. Check reel for correct operation by slowly pulling out hose. A "clicking" noise will be heard every half revolution of the drum.
2. To latch the reel, pull out the hose and allow it to retract after hearing the first second or third "click".
3. To unlatch, slowly pull out the hose until the "clicking" noise stops, then let hose retract until the hose stopper rests against the hose guide.
4. If necessary, adjust spring tension on reel by adding or removing wraps of hose from spool, one wrap at a time, until desired tension is obtained. Add wraps to increase tension. Remove wraps to decrease tension.



Maintenance

1. Make sure the hose is in proper working order.
2. Clean the hose with a cloth dipped in warm water to remove dirt or deposits and ensure correct rewinding.
3. Do not use detergents or solvents which could prove incompatible with cable-winder materials.
4. Dismantling of the unit by unskilled personal could prove hazardous; the risk involved mainly concern the preloaded springs.

NSW

TEL: (02) 9939 0711

FAX: (02) 9939 0411

QLD/PNG

TEL: (07) 3889 8480

FAX: (07) 3889 8490

VIC/TAS

TEL: (03) 8787 8288

FAX: (03) 8787 8266

WA

TEL: (08) 9209 3066

FAX: (08) 9209 3933

SA/NT

TEL: (08) 8241 7111

FAX: (08) 8241 7011

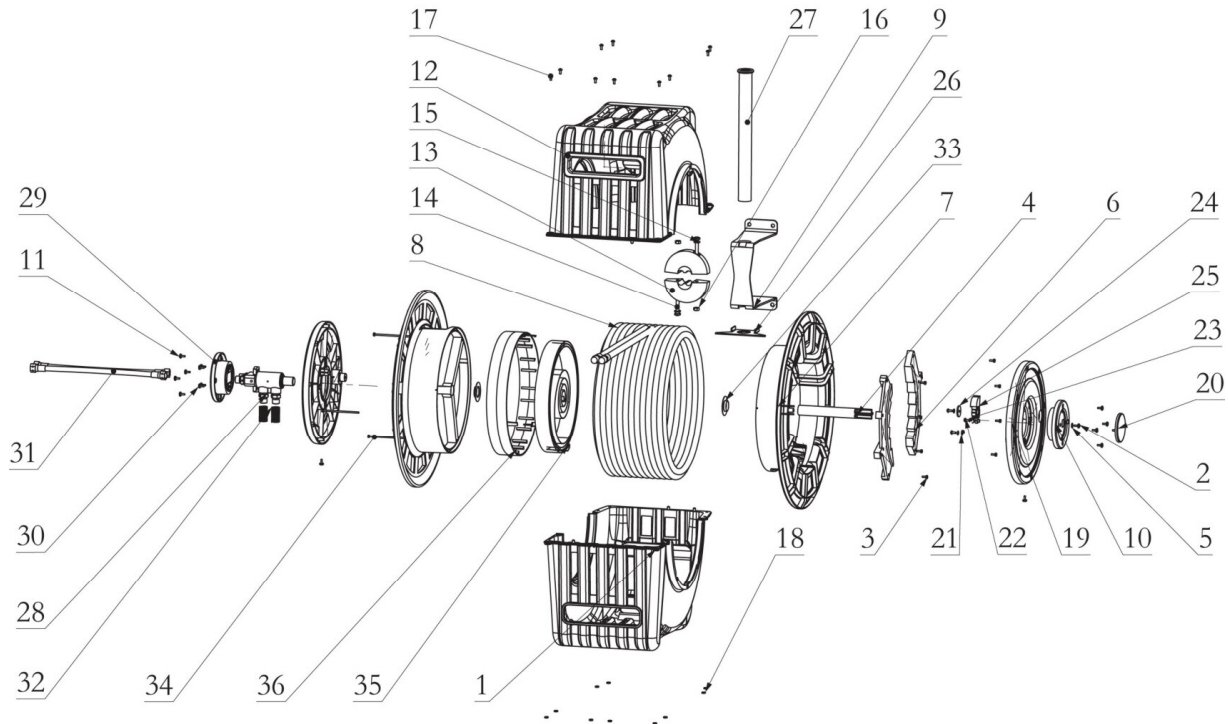
NZ

TEL: (09) 447 1007

FAX: (09) 447 1008

Parts and Drawing Breakdown For SO600

Exploded and Parts List



Part No.	Description	Q'ty	Part No.	Description	Q'ty
1	Cover	2	19	Big Cover	2
2	Screw	3	20	Small Cover	1
3	Screw	8	21	Ratchet Spring	1
4	Main Axle	1	22	Screw	3
5	Washer	1	23	Washer	3
6	Ratchet Ring	2	24	Clip for Ratchet	1
7	Drum	2	25	Ratchet	1
8	Hose Assy	1	26	Stator	1
9	Bracket	1	27	Axle	1
10	Cover for axle	1	28	Swivel Assy	1
11	Screw	8	29	Cover for Spool	1
12	Guide Protector	1	30	Screw	4
13	Hose Stopper	2	31	Inlet Hose Assy	1
14	Screw	2	32	Spring for Hose	2
15	Washer	2	33	Washer	2
16	Nut	2	34	Screw	3
17	Screw	10	35	Main Spring	1
18	Nut	10	36	Clamp of main Spring	1

NSW
TEL: (02) 9939 0711
FAX: (02) 9939 0411

QLD/PNG
TEL: (07) 3889 8480
FAX: (07) 3889 8490

VIC/TAS
TEL: (03) 8787 8288
FAX: (03) 8787 8266

WA
TEL: (08) 9209 3066
FAX: (08) 9209 3933

SA/NT
TEL: (08) 8241 7111
FAX: (08) 8241 7011

NZ
TEL: (09) 447 1007
FAX: (09) 447 1008